



**IEC PERFORMANCE DATA SHEET**  
IEC Efficiency Level IE3

Catalog #: IJA90L2-4-24

HP	kW	Voltage	L.R. Amps	Efficiency	Power Factor	Service Factor	Frame	Design
2,40	1,79	230 / 460	22,11	86,5%	0,78	1,15	90L	N

60 Hz								
FLA							Is/In	F.L. RPM
208	230	333	460	575	796	990		
/	6,70	/	3,35	/	/	/	6,6	1730

50 Hz								
FLA						Efficiency	Is/In	F.L. RPM
190	380	400	415	660	725			
8,15	4,08	3,88	3,73	/	/	86,0%	6,6	1445

Wgt. Lbs	PH	Duty	Insul. Class	Ambient Temp.	Elevation	Temp. Rise° C
41,5	3	S1	H	40°C	1000 M	30

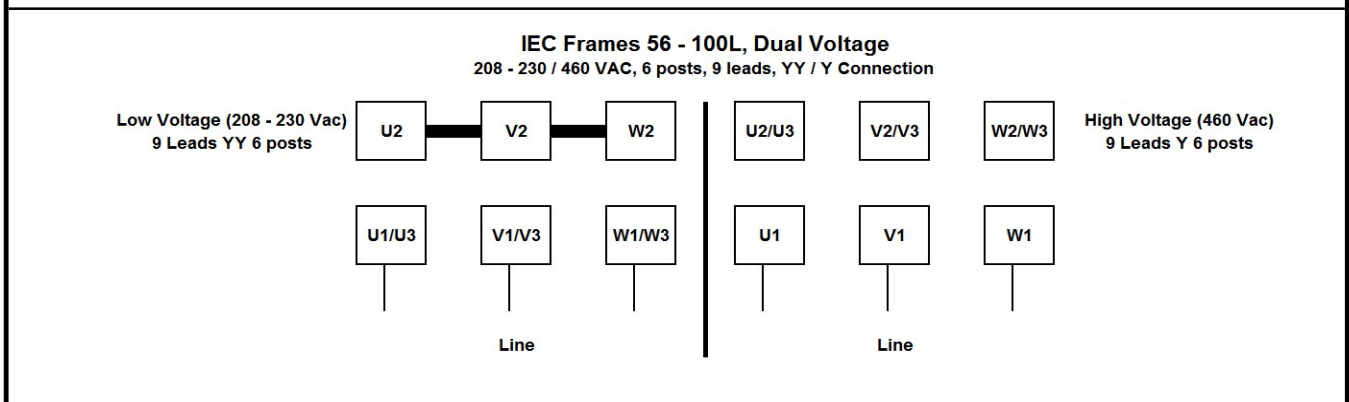
% Efficiency		% Power Factor		Torque			Protector Type	Winding Resist. Ω
Full Load:	86,5%	Full Load:	0,78	FLT ft.lbs	60Hz	50Hz		
3/4 Load:	83,0%	3/4 Load:	0,66	LRT %	230	230	-	-
1/2 Load:	75,3%	1/2 Load:	0,51	BDT %	230	230	-	-

Rotor Inertia Wk2 Lb-Ft2	Max Load Inertia Wk2 Lb-Ft2	Shaft Material	Frame Material	DE Bracket Type	ODE Bracket Type	Mounting	Enclosure	Protection
-	-	Standard	Aluminum	Standard	Standard	B3	TEFC	IP55

Ball Bearings		Grease	Mount Type	Orientation	Cold Start (Secs)	Paint
DE	ODE					
6205ZZ-C3	6205ZZ-C3	Sealed Bearings	Rigid	Horizontal	15	Red

Inverter Duty. Motor meets MG1 parts 31.4.4.2	Constant Torque Range	Variable Torque Range
	10:1	20:1

WIRING CONNECTION DIAGRAM : **B**





Date: **25 janvier, 2024**  
 Customer: \_\_\_\_\_  
 Contact: \_\_\_\_\_  
 Submittee: **J.C. Lavallée**

Catalogue #: **IJA90L2-4-24**

IEC Efficiency Level IE3											
HP	Kw	VAC	RPM	Enclosure	Frame	Frequency	Design	Poles	LR Is/In	Insulation Class	Temp. Rise °C
2,40	1,79	230 / 460	1730	TEFC	90L	60	N	4	6,6	H	30

Load %	0%	25%	50%	75%	100%	125%	150%
Amps	2,71	2,71	2,96	3,09	3,35	3,87	4,90
Torq ft/lbs	0	1,77	3,57	5,41	7,29	9,50	12,20
RPM	0	1783	1765	1748	1730	1659	1550
Eff %	0	56,4	75,3	83,0	86,5	84,3	77,4
PF %	0	35,6	50,5	65,9	78,0	80,3	81,9

	Locked Rotor	Pull-Up	Breakdown	Rated Load	Idle	Duty	S. F.	Ambient	Elevation	dBA @ 1M
Speed (RPM)	0	810	1350	1730	1800	S1	1,15	40°C	3,300 ft	-
Current (Amps)	22,11	17,69	12,38	3,35	2,71	VFD Rating: Meets MG1 parts 31.4.4.2				
Torque (ft-lbs)	16,76	14,24	16,76	7,29	0,0	CT :	10:1	VT :	20:1	

